



General Assembly Order

Your new Overhead Lighting is not difficult to assemble. While the basic assembly is possible to accomplish alone, extra help is necessary in Step 1 and Step 5 below.

Assembly Process Overview

1. Install Lower Light Posts to Table Leg Brackets (extra help needed)
2. Install Hanger Clips to Upper Light Posts
3. Install Lights into Hanger Clips
4. Plug in Power Cables
5. Insert Upper Light Post to Lower Light Post (extra help needed)
6. Insert Power Cables & Secure
7. Position Lighting and Turn on Power








Table of Contents

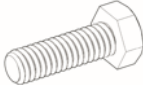





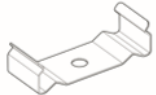





APQS Overhead Lighting – General Assembly Order	1
Assembly Tools	3
Step 1a: Install Lower Light Posts to Table Leg Brackets	4
Step 1b: Install Lower Light Posts to Table Leg Brackets	5
(Legacy frames – pre-MY19 Auto Quilt Advance side of frame)	5
Step 2: Install Hanger Clips to Upper Light Posts	6
Step 3: Install Lights into Hanger Clips.....	7
Step 4: Plug in Power Cables.....	7
Step 5: Insert Upper Light Post into Lower Light Post	8
Step 6: Insert Power Cables & Secure.....	9
Step 7: Position Lighting & Turn on Power	9
Adjustments & Lights.....	9
Lighting Position Adjustment.....	9
Lighting Height Adjustment	9
Replacement Light Bulbs	9



Assembly Tools

Tools Required: Phillips Screwdriver
 1/2" Box & Open-End Wrench
 1/2" Socket Wrench
 Wire Cutter

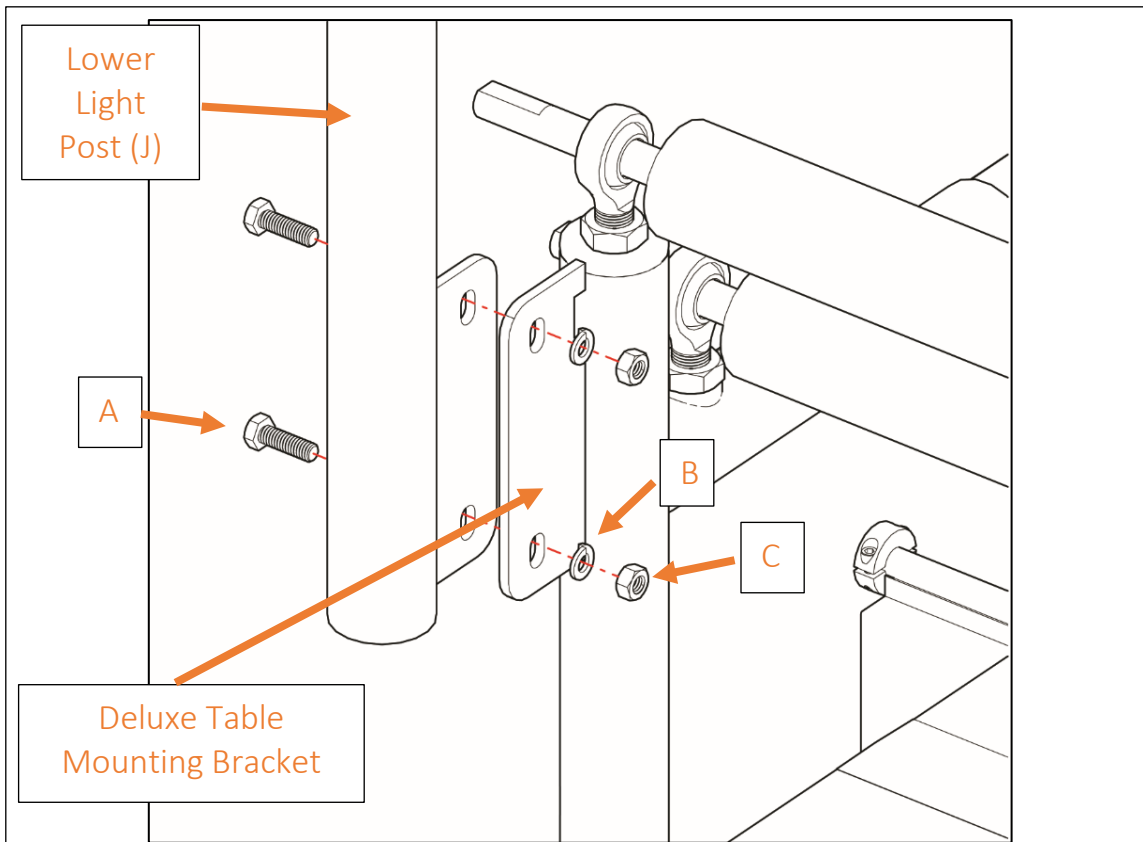
Additional Parts Required for Legacy Tables			
Item	Description	Image	Qty
N	5/16" x 2" Bolt		1
O	5/16" x 2-1/2" Bolt		1
P	Aluminum Spacer		2

Parts Required			
Item	Description	Image	Qty
A	5/16" x 1" Bolt		5
B	Lock Washer		5
C	5/16" Nut		5
D	8-32 x 1/4" Screw		5
E	1/4" - 20 Set Screw		5
F	Zip Tie		7
G	Hanger Clip		5
H	Light		2
J	Lower Light Post		2
K	Upper Light Post		2
L	Power Cable		2
M	1/8" Allen Wrench		1



Step 1a: Install Lower Light Posts to Table Leg Brackets

Your Overhead Lighting will only fit an APQS Deluxe Table.

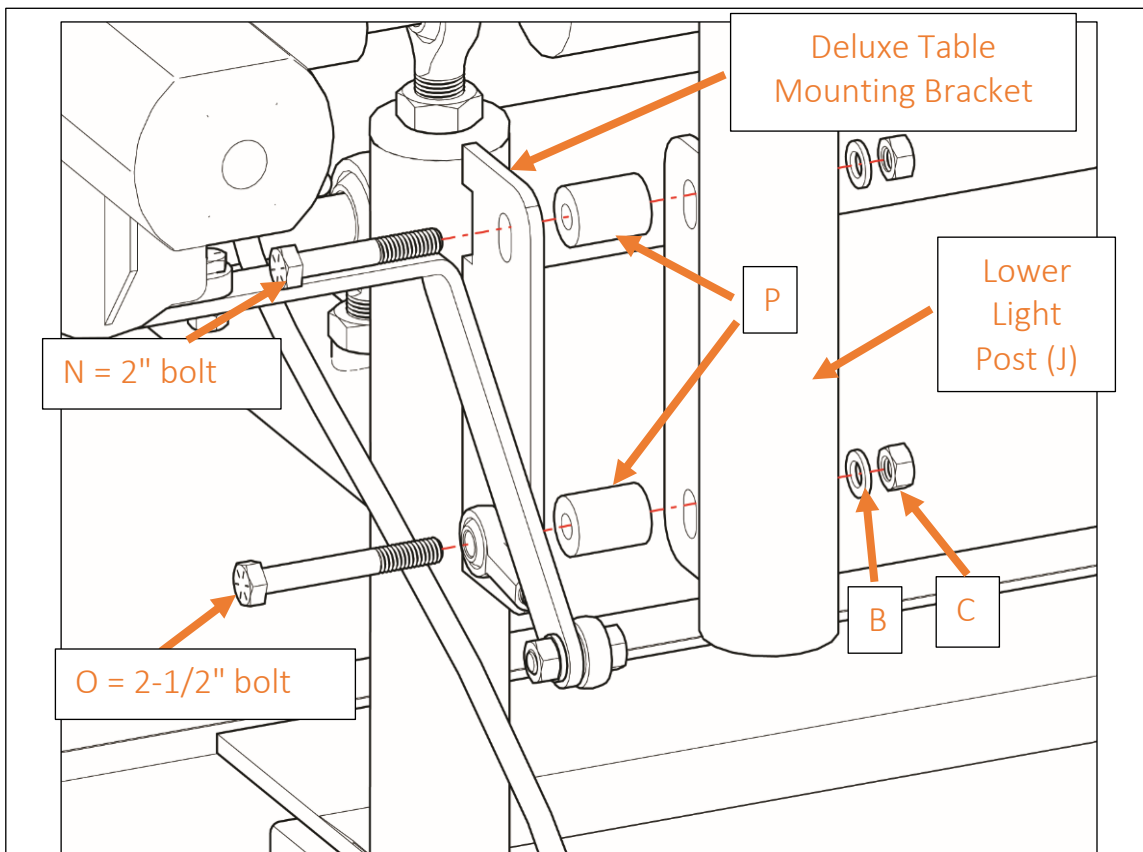


1. Locate the 5/16" x 1" bolts (A), Lock Washers (B), 5/16" nuts (C).
 - a. 12- or 14-foot table – Mount Lower Light Post (J) to either side of the table leg bracket.
 - b. 10-foot table – Mount the Lower Light Post (J) to the outside of the table leg bracket.
2. Hold one of the Lower Light Posts (J) up to the table's mounting bracket on the leg.
3. Slip two of the 5/16" x 1" bolts (A) through the slots on the Lower Light Post and table leg bracket. Place a lock washer (B) and 5/16" nut (C) on each one of the bolts.
4. Use a 1/2" box & open-end wrench and a 1/2" socket wrench to tighten the bolts in place. These can be adjusted later if the lights do not line up on each side.
5. Repeat for the other side of the table for MY19 and newer frame models.

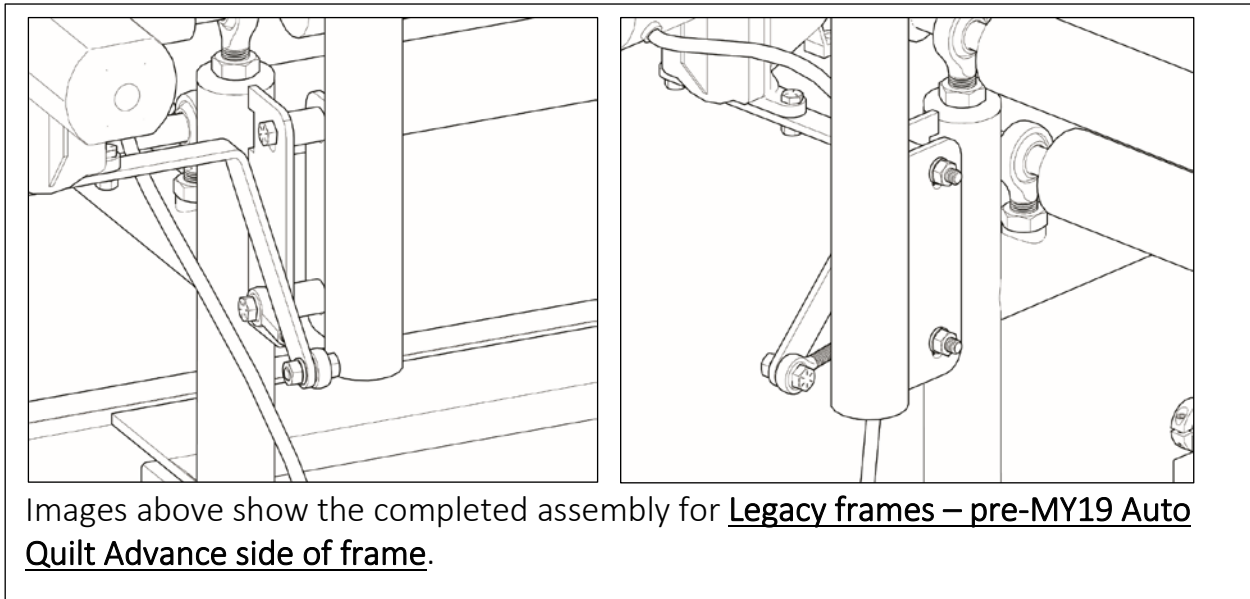


Step 1b: Install Lower Light Posts to Table Leg Brackets (Legacy frames – pre-MY19 Auto Quilt Advance side of frame)

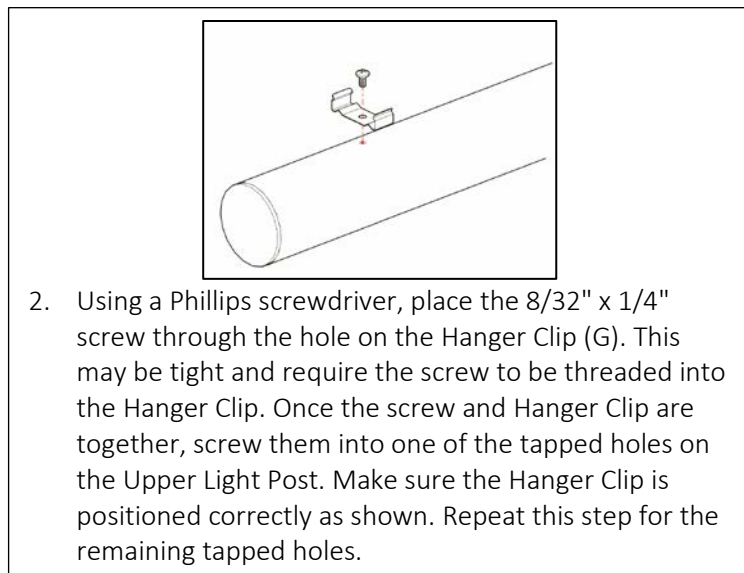
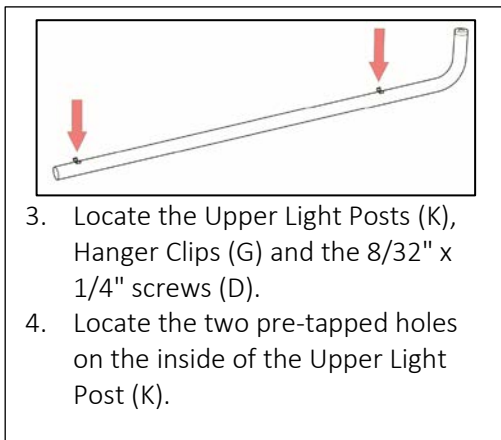
Your Overhead Lighting will only fit an APQS Deluxe Table.



6. Locate the 2" bolt (N), 2-1/2" bolt (O), Spacer (P) Lock Washers (B), 5/16" nuts (C).
 - a. 12- or 14-foot table – Mount Lower Light Post (J) to either side of the table leg bracket.
 - b. 10-foot table – Mount the Lower Light Post (J) to the outside of the table leg bracket.
7. Hold one of the Lower Light Posts (J) up to the table's mounting bracket on the leg.
8. Slip the 2" bolt (N) through the upper slot on the Lower Light Post and table leg bracket.
9. Slip the 2-1/2" bolt (O) through the lower slot on the Lower Light Post and table leg bracket.
10. Place the spacer (P) between the Lower Light Post and the Deluxe Table Mounting Bracket.
11. Place a lock washer (B) and 5/16" nut (C) on the bolt.
12. Use a 1/2" box & open-end wrench and a 1/2" socket wrench to tighten the bolts in place. These can be adjusted later if the lights do not line up on each side.
13. Repeat Step 1a for the other side of the table.

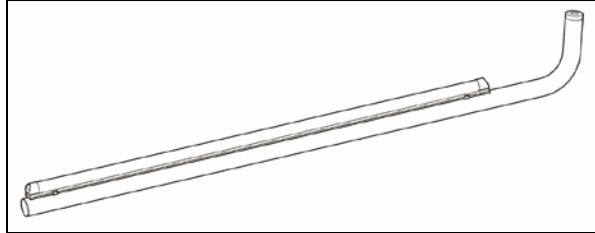


Step 2: Install Hanger Clips to Upper Light Posts

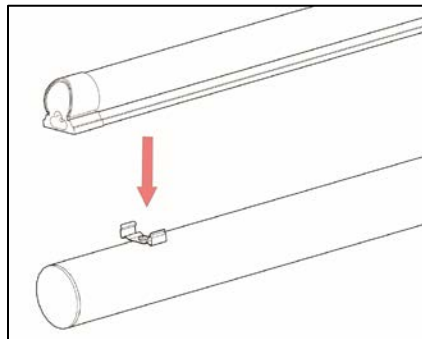




Step 3: Install Lights into Hanger Clips

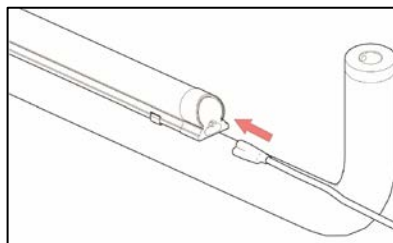


1. Locate the light bulbs. NOTE: The lights have a plug in one end where the power cable goes. Place the end with the plug near the straight end of the tubes as shown above.



2. Carefully position the light over the two Hanger Clips. Make sure the light is contacting both clips. Push down on the light until it locks into both Hanger Clips. You should hear an audible “click.”
3. If needed, the Hanger Clips can be bent slightly if the light does not fit properly. The light can be slid back and forth to center the light on the clips.
4. The completed assembly should look like the image above. Repeat these steps for the other light.

Step 4: Plug in Power Cables

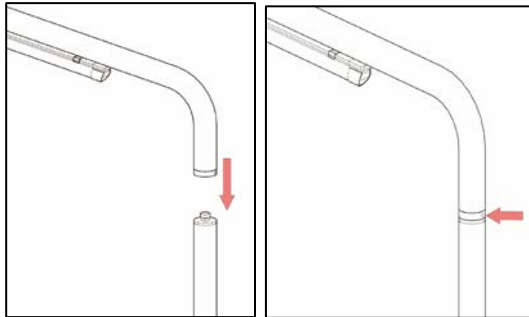


1. Locate the Power Cables. Plug in the cable to the light. Make sure the cable is fully plugged in and secure. Repeat for the other light.

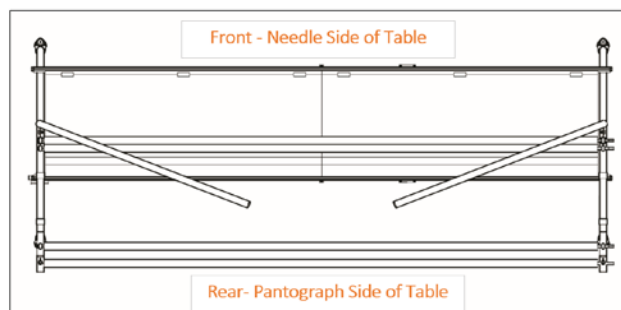
THIS STEP CAN ALSO BE DONE AFTER STEP 5, the cable can get in the way during Step 5. However, you may need A step stool to reach the light after this step.



Step 5: Insert Upper Light Post into Lower Light Post (extra help needed)



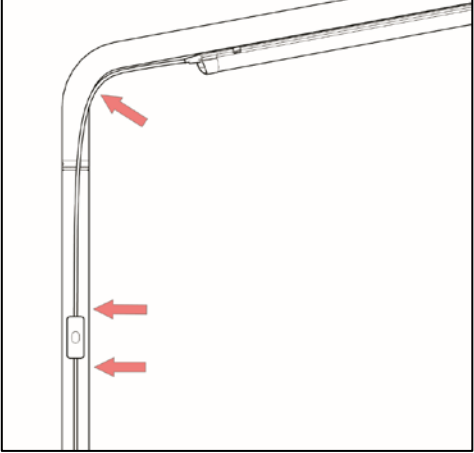
1. With help, position the curved end of the Upper Light Post (K) over the mating coupler on the Lower Light Post (J).
2. Lower it down onto the post making sure it is all the way down.
3. Insert a 1/4" – 20 set screw (E) into the coupler with the included 1/8" Allen wrench (M). There is no need to tighten the set screw just yet. Insert another set screw on the opposite side of the coupler.



4. Once the Light Posts are together, rotate the Upper Light Post to a position that suits you. APQS recommends a setup like the image above.
5. Once the Upper Light Post is in a position that you like, tighten the set screws in the coupler with the 1/8" Allen wrench. Repeat for the other side.



Step 6: Insert Power Cables & Secure



1. If you have not inserted the power cable (Step 4), do so now. Locate the zip ties (F).
2. Route the power cable down the side of the light posts.
3. Place the power switch that is attached to the cable, on the side of the post that you prefer.
4. Using the zip ties, secure them around the cable and post in the locations shown above. Secure firmly but be careful not to tighten too much as this can damage the power cable.
5. Trim the zip tie excess with the wire cutter. Repeat for the other side.

Step 7: Position Lighting & Turn on Power

Plug in the end of each power cable to extension cords (not supplied) and an outlet and turn ON the switch.

Adjustments & Lights

Lighting Position Adjustment

If you find the position of your lighting is not perfect, you can go back to Step 5, loosen the set screws with the 1/8" Allen wrench, rotate the Upper Light Posts, then re-tighten the set screws.

Lighting Height Adjustment

Similarly, if there is a height difference between the two Upper Light Posts, you can go back to Step 1 to loosen the nuts and adjust each post up or down accordingly. The brackets on the legs and posts are slotted to accommodate a potential alignment adjustment.

Replacement Light Bulbs

Replacement light bulbs can be purchased individually through APQS by ordering Barrina 4000LM Daylight Frosted.